

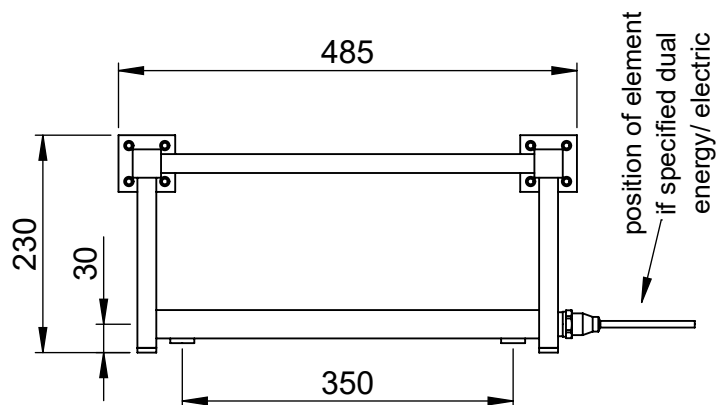
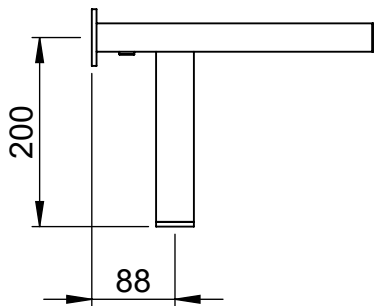
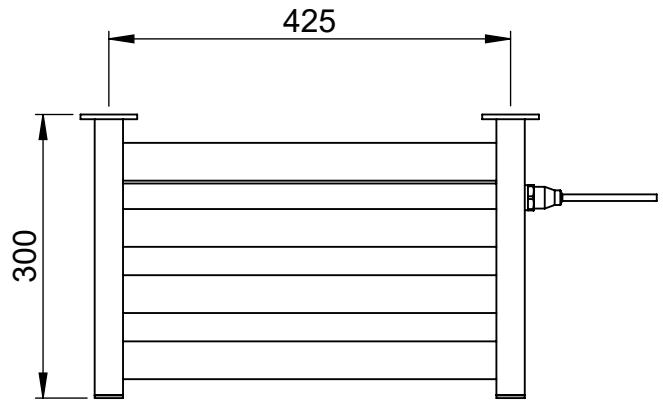
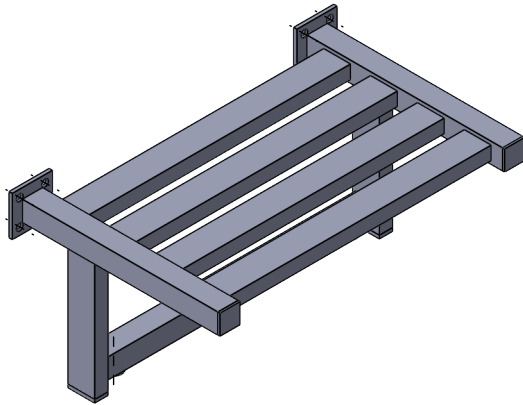
IN015 230x485

Height: 230
Width: 485
Depth: 300
Weight HO: kg
EO: kg

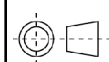
Tube ϕ : 30sq + 40x20sq
Pipe Centres: 350
Elec. element if specified: 100
Output @ 50°C Δ T Watts: 231
BTUs:

All dimensions in millimetres

Manufactured from 1.4301/X5CrNi18-10 stainless steel



Vogue UK Ltd. reserve the right to alter specifications without prior notice.
ALL MEASUREMENTS ARE NOMINAL DIMENSIONS ONLY, AND ARE NOT BINDING.



SCALE 1:8

VOGUE
TOWEL WARMERS & RADIATORS

Strawberry Lane, Willenhall
West Midlands WV13 3RS
Tel: 01902 387000 Fax: 01902 387001
e-mail:sales@vogueuk.co.uk www.vogueuk.co.uk