

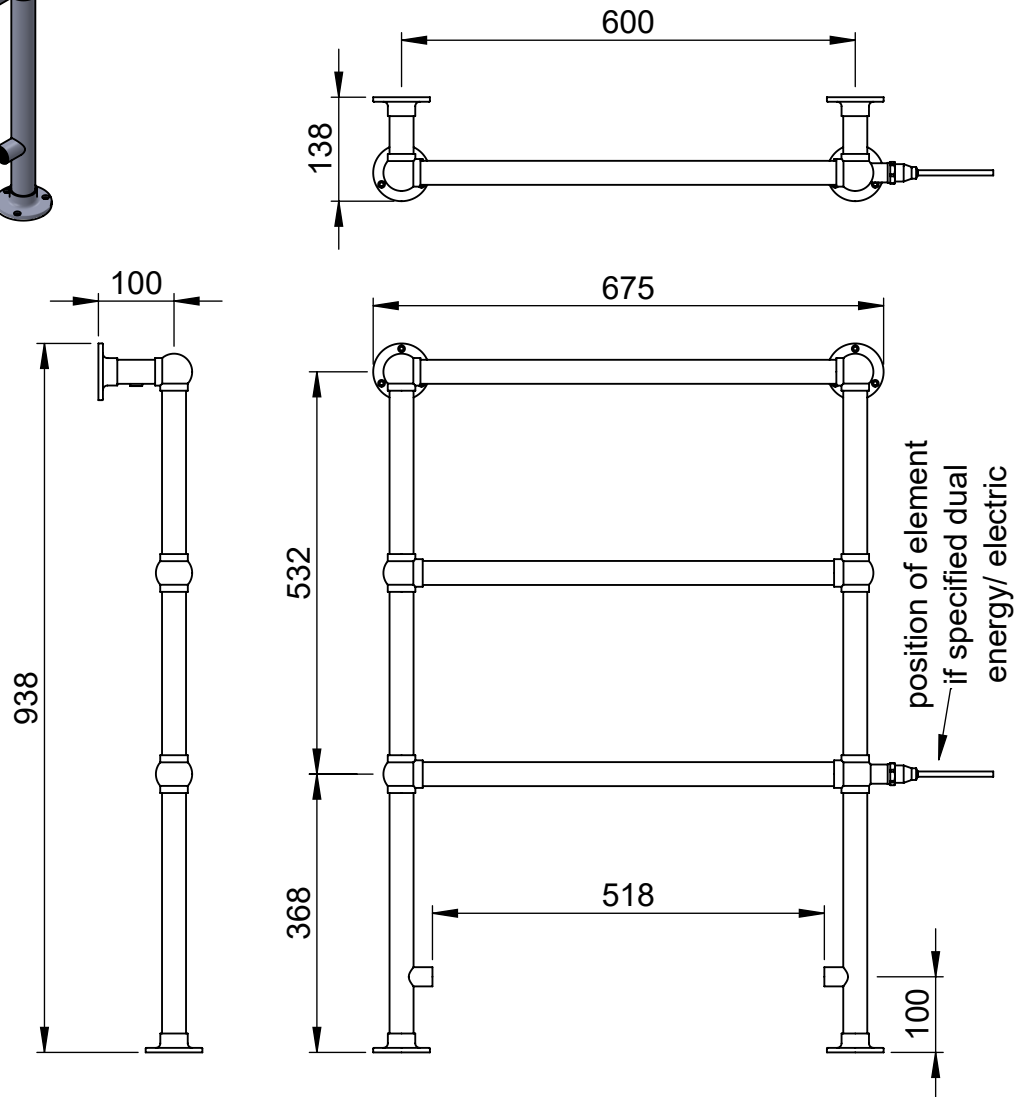
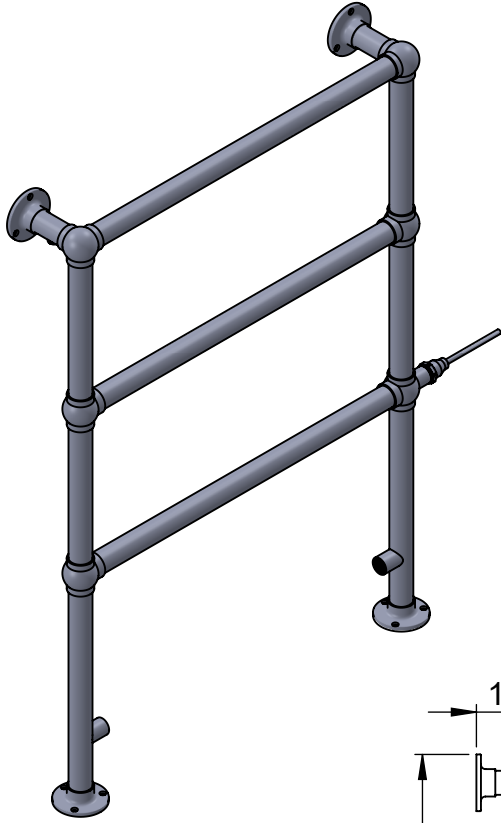
Ballerina LG024A-BR 938x675

Height: 938
Width: 675
Depth: 138
Weight HO: kg
EO: kg

Tube ϕ : 31.8
Face-Face Connections: 518
Elec. element if specified: 125
Output @ 50°C Δ T Watts: 195
BTUs: 665

All dimensions in millimetres

Manufactured from ISO/CEN CuZn36As (BS CZ126) brass tube



Vogue UK Ltd. reserve the right to alter specifications without prior notice.
ALL MEASUREMENTS ARE NOMINAL DIMENSIONS ONLY, AND ARE NOT BINDING.



SCALE 1:10



VOGUE UK
TOWEL WARMERS & RADIATORS

Strawberry Lane, Willenhall
West Midlands WV13 3RS
Tel: 01902 387000 Fax: 01902 387001
e-mail: sales@vogueuk.co.uk www.vogueuk.co.uk