

Ballerina

LG021HFW-BR

1538x675

Height: 1538

Width: 675

Depth: 138

Weight HO: 13.5 kg

EO: 19.5 kg

Tube ϕ : 31.8

Face-Face Connections: 518

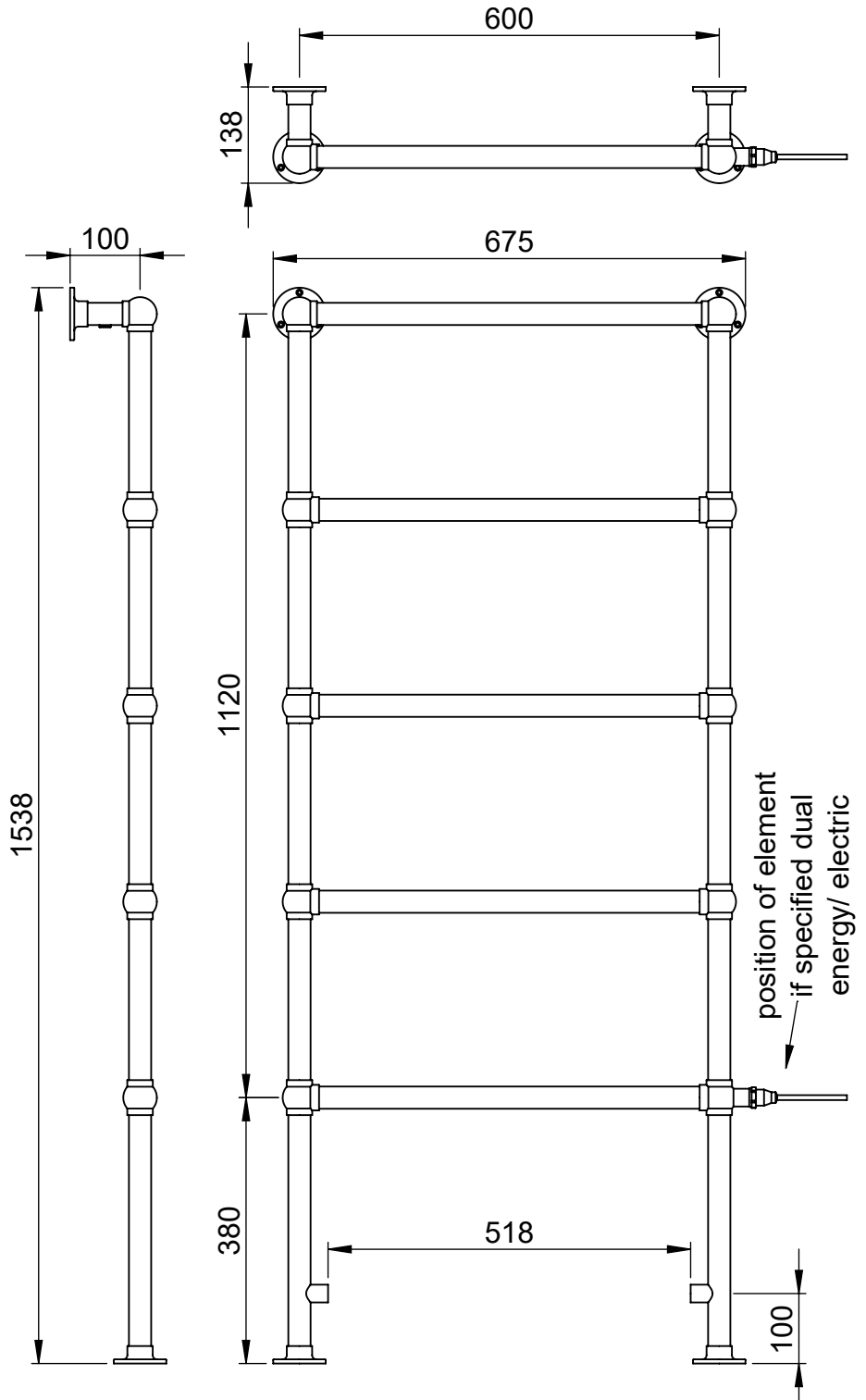
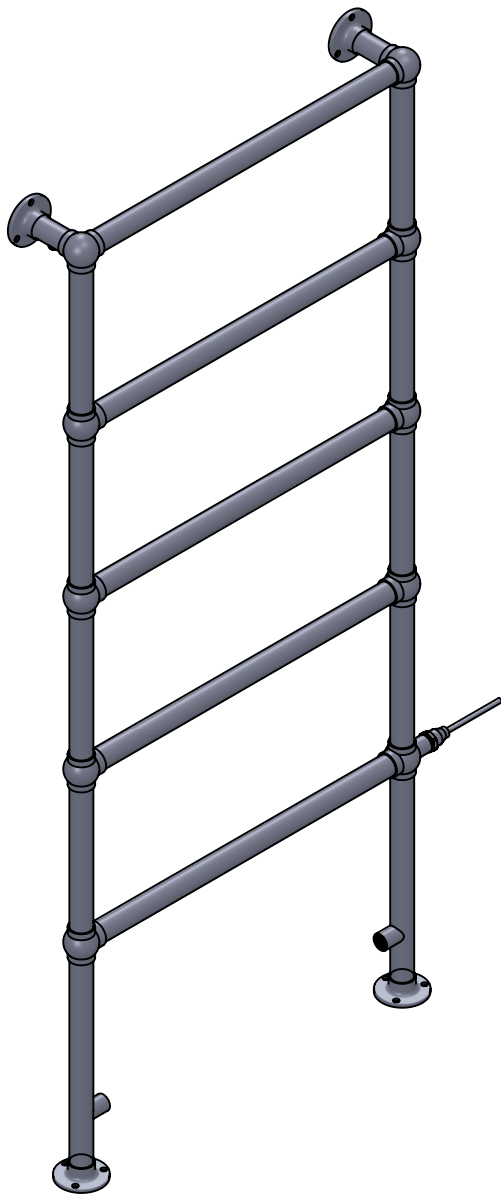
Elec. element if specified: 150

Output @ 50°C Δ T Watts: 327

BTUs: 1116

All dimensions in millimetres

Manufactured from ISO/CEN CuZn36As (BS CZ126) brass tube



Vogue UK Ltd. reserve the right to alter specifications without prior notice.
ALL MEASUREMENTS ARE NOMINAL DIMENSIONS ONLY, AND ARE NOT BINDING.



SCALE 1:10



VOGUE UK

TOWEL WARMERS & RADIATORS

Strawberry Lane, Willenhall
West Midlands WV13 3RS
Tel: 01902 387000 Fax: 01902 387001
e-mail: sales@vogueuk.co.uk www.vogueuk.co.uk