

Ballerina LG021EFW-BR 1238x675

Height: 1238

Width: 675

Depth: 138

Weight HO: 11.5 kg

EO: 17.5 kg

Tube ϕ : 31.8

Face-Face Connections: 518

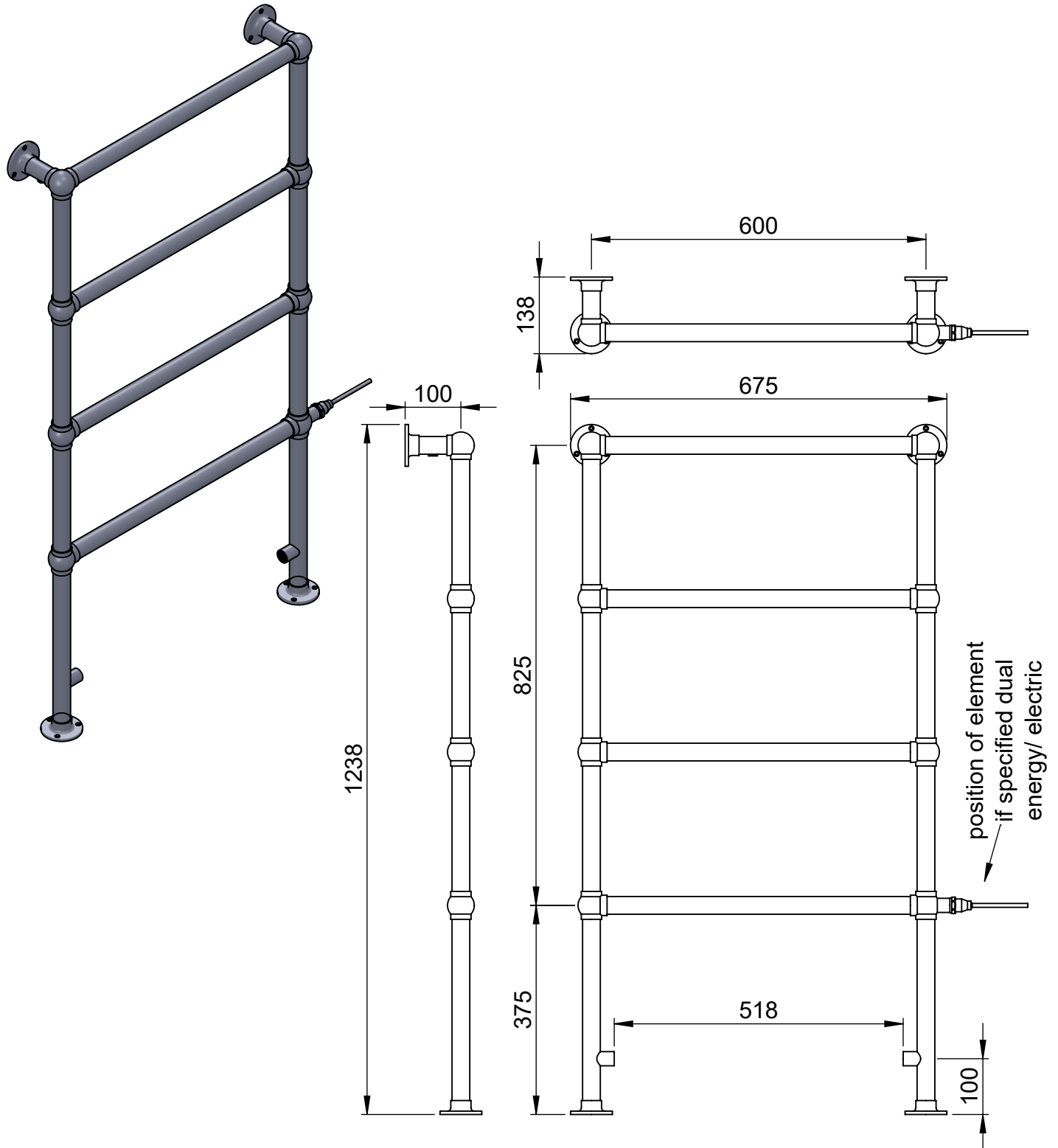
Elec. element if specified: 150

Output @ 50°C Δ T Watts: 266

BTUs: 908

All dimensions in millimetres

Manufactured from ISO/CEN CuZn36As (BS CZ126) brass tube



Vogue UK Ltd. reserve the right to alter specifications without prior notice.
ALL MEASUREMENTS ARE NOMINAL DIMENSIONS ONLY, AND ARE NOT BINDING.



SCALE 1:10



VOGUE UK

TOWEL WARMERS & RADIATORS

Strawberry Lane, Willenhall
West Midlands WV13 3RS

Tel: 01902 387000 Fax: 01902 387001

e-mail: sales@vogueuk.co.uk www.vogueuk.co.uk