

Ballerina LG021DFW-BR 1538x525

Height: 1538

Width: 525

Depth: 138

Weight HO: 11.5 kg

EO: 17.5 kg

Tube ϕ : 31.8

Face-Face Connections: 368

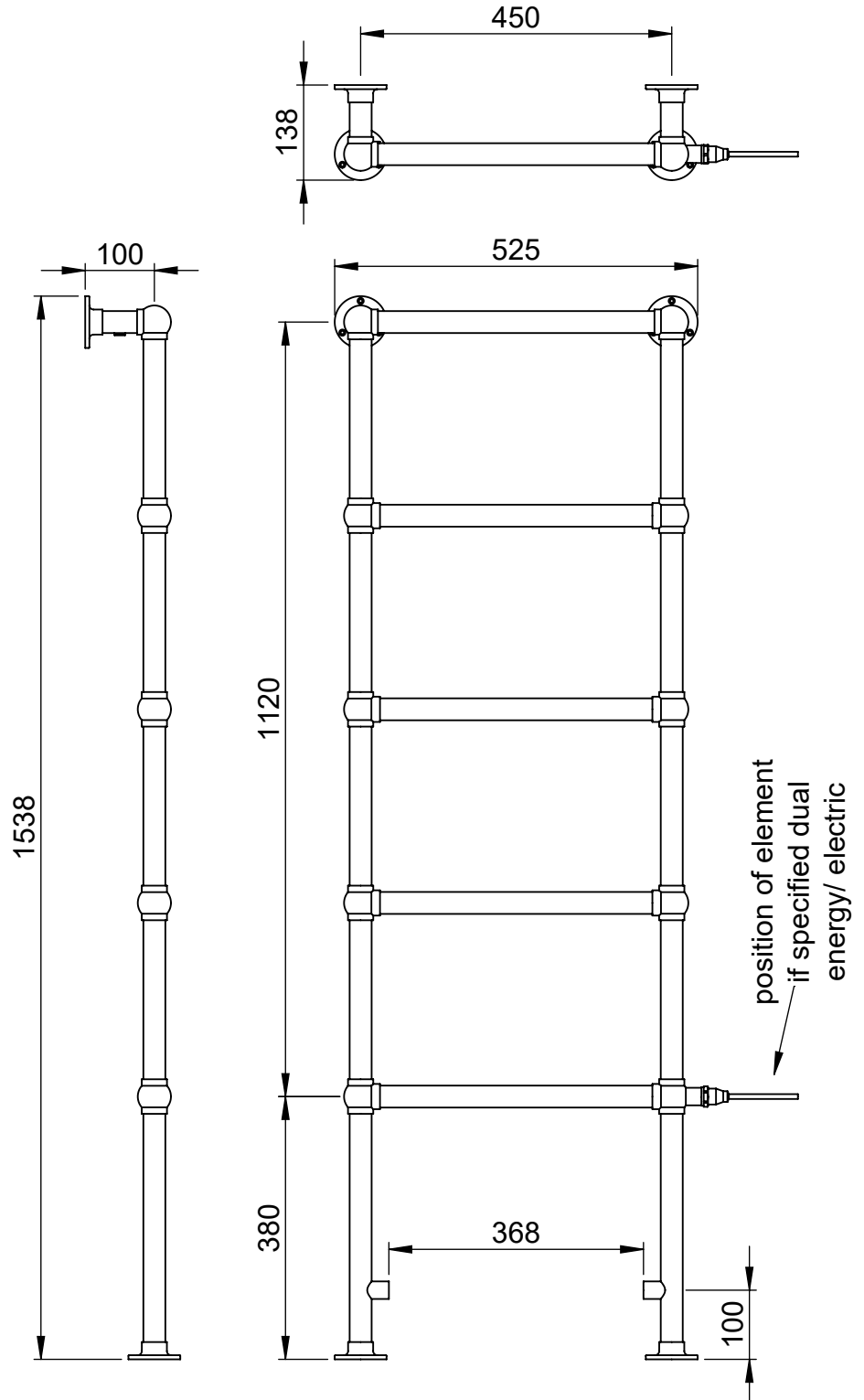
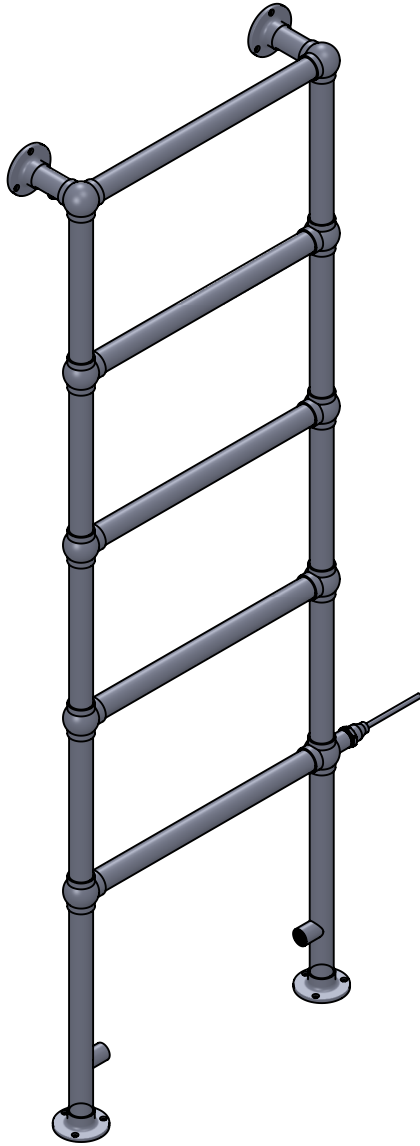
Elec. element if specified: 150

Output @ 50° C Δ T Watts: 292

BTUs: 996

All dimensions in millimetres

Manufactured from ISO/CEN CuZn36As (BS CZ126) brass tube



Vogue UK Ltd. reserve the right to alter specifications without prior notice.
ALL MEASUREMENTS ARE NOMINAL DIMENSIONS ONLY, AND ARE NOT BINDING.



SCALE 1:10



VOGUE UK

TOWEL WARMERS & RADIATORS

Strawberry Lane, Willenhall
West Midlands WV13 3RS
Tel: 01902 387000 Fax: 01902 387001
e-mail:sales@vogueuk.co.uk www.vogueuk.co.uk