

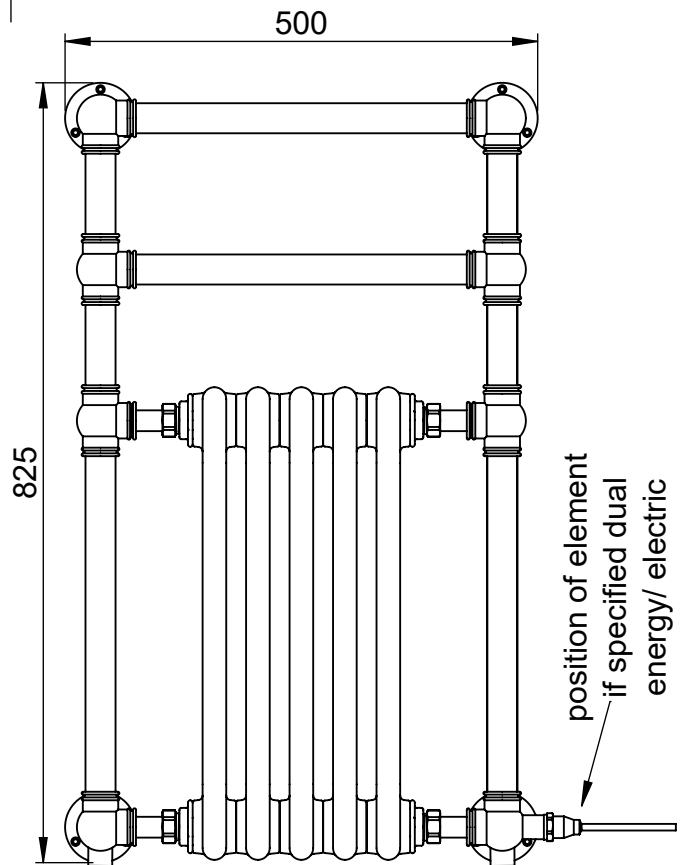
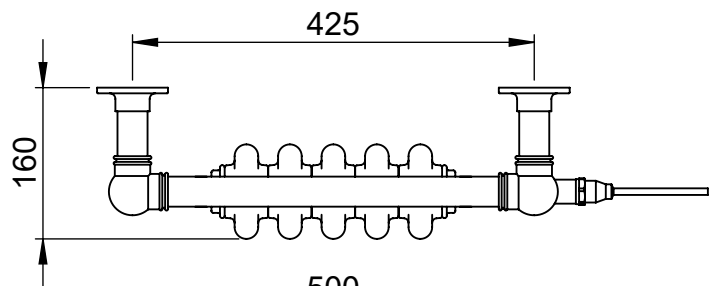
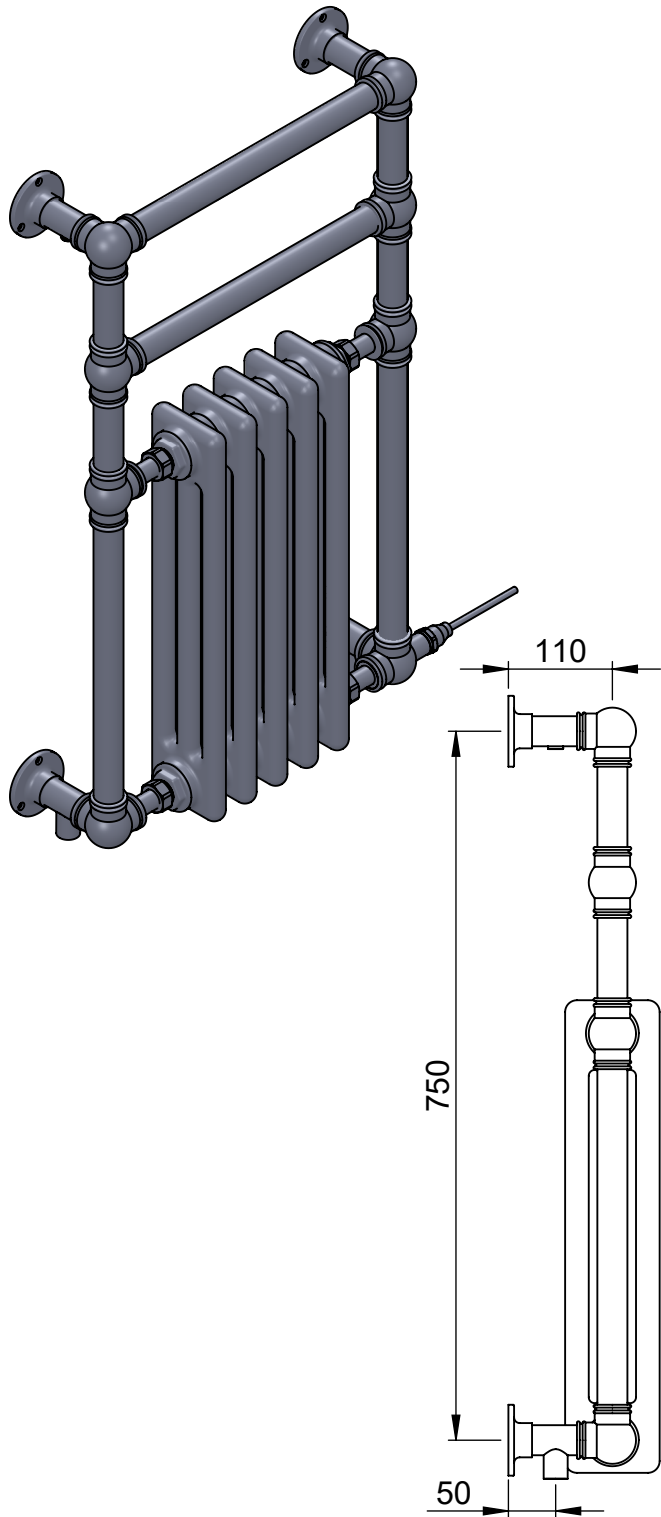
Regency II OG009C 825x500

Height: 825
Width: 500
Depth: 160
Weight HO: kg
EO: kg

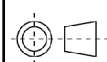
Tube ϕ : 31.8
Pipe Centres: 425
Elec. element if specified: 200
Output @ 50°C Δ T Watts: 384
BTUs: 1310

All dimensions in millimetres

Manufactured from ISO/CEN CuZn36As (BS CZ126) brass tube



Vogue UK Ltd. reserve the right to alter specifications without prior notice.
ALL MEASUREMENTS ARE NOMINAL DIMENSIONS ONLY, AND ARE NOT BINDING.



SCALE 1:8



VOGUE UK
TOWEL WARMERS & RADIATORS

Strawberry Lane, Willenhall
West Midlands WV13 3RS
Tel: 01902 387000 Fax: 01902 387001
e-mail: sales@vogueuk.co.uk www.vogueuk.co.uk