

Ballerina OG002F 1575x525

Height: 1575

Width: 525

Depth: 135

Weight HO: 11.5 kg

EO: 24.5 kg

Tube ϕ : 31.8

Pipe Centres: 450

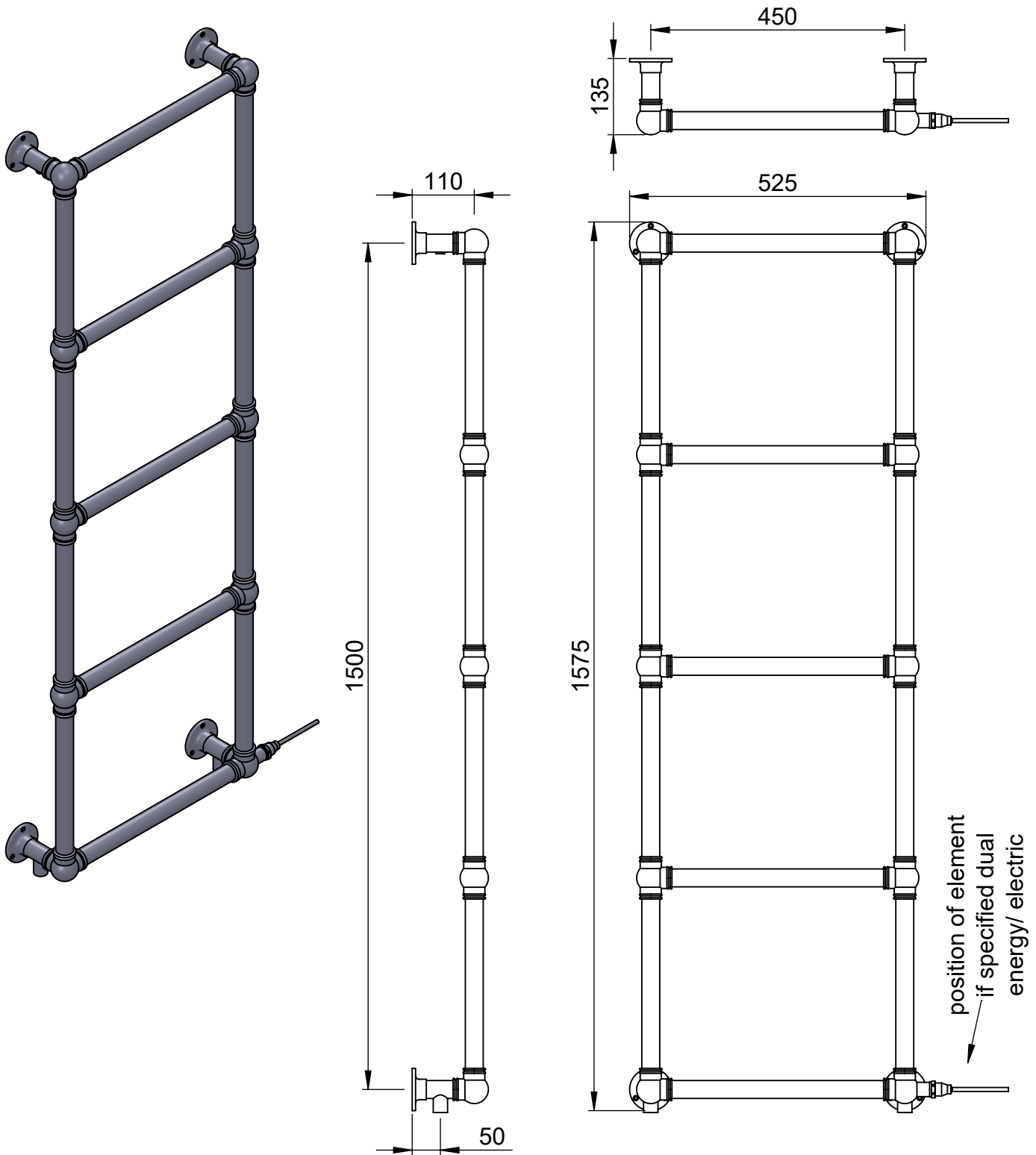
Elec. element if specified: 125

Output @ 50°C Δ T Watts: 292

BTUs: 996

All dimensions in millimetres

Manufactured from ISO/CEN CuZn36As (BS CZ126) brass tube



Vogue UK Ltd. reserve the right to alter specifications without prior notice.
ALL MEASUREMENTS ARE NOMINAL DIMENSIONS ONLY, AND ARE NOT BINDING.



SCALE 1:10



VOGUE UK
TOWEL WARMERS & RADIATORS

Strawberry Lane, Willenhall
West Midlands WV13 3RS
Tel: 01902 387000 Fax: 01902 387001
e-mail: sales@vogueuk.co.uk www.vogueuk.co.uk