

# Ballerina OG002A 1275x525

Height: 1275

Width: 525

Depth: 135

Weight HO: 11.5 kg

EO: 19.5 kg

Tube  $\phi$ : 31.8

Pipe Centres: 450

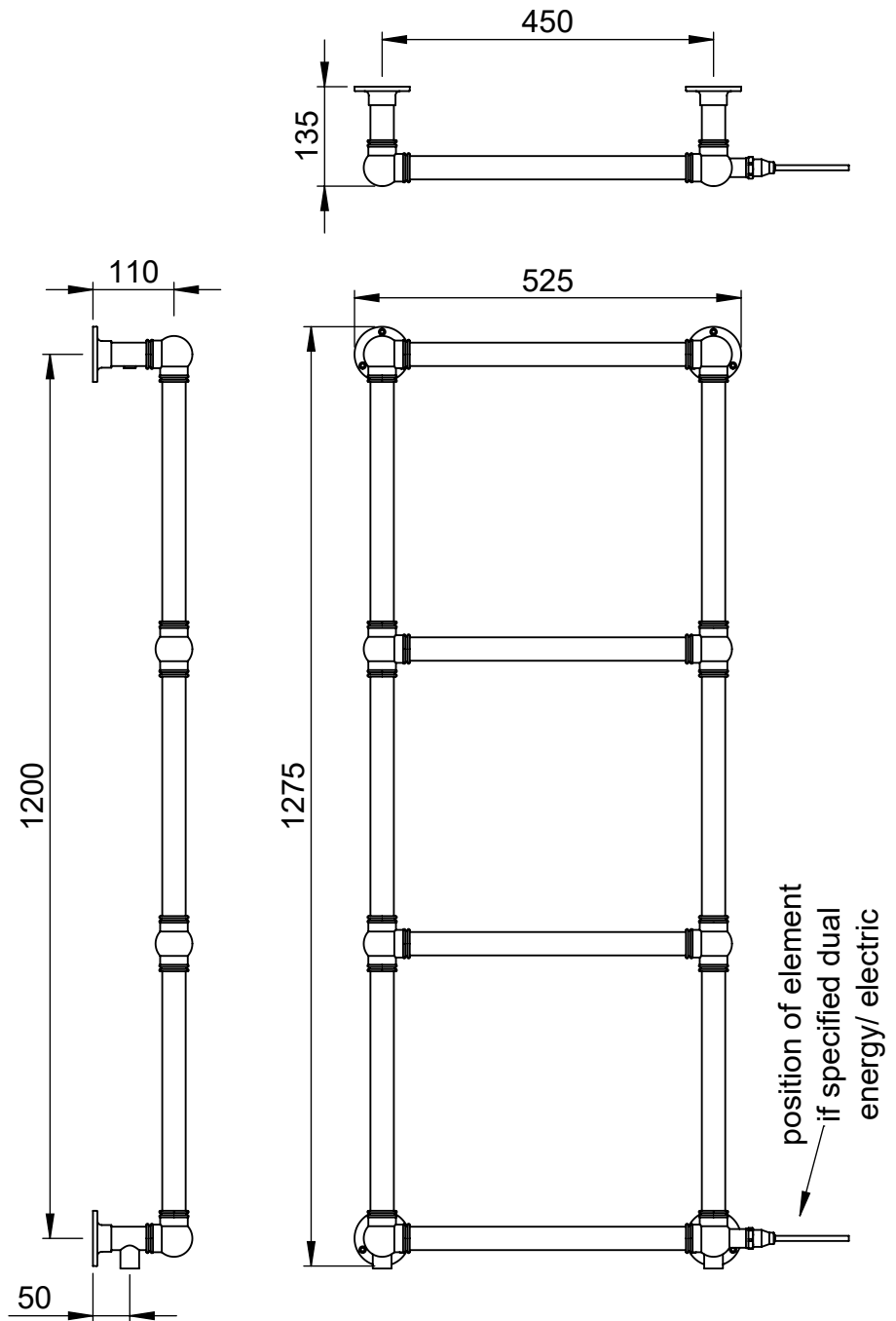
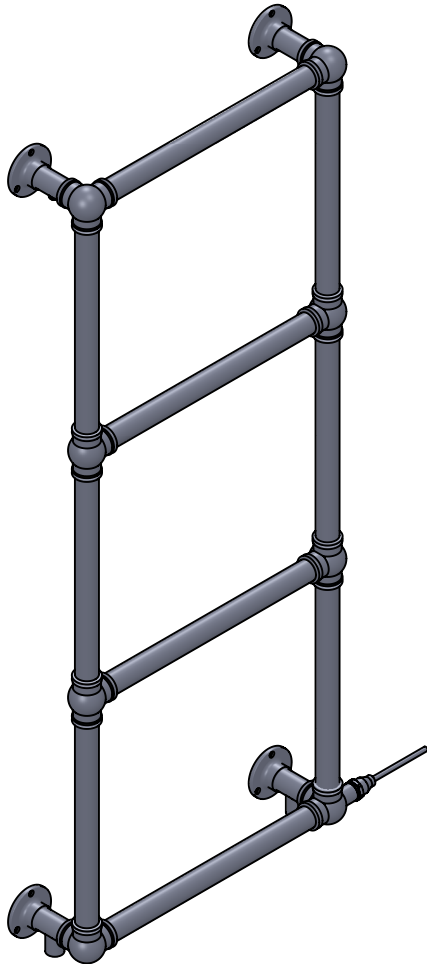
Elec. element if specified: 125

Output @ 50°C  $\Delta$  T Watts: 239

BTUs: 815

All dimensions in millimetres

Manufactured from ISO/CEN CuZn36As (BS CZ126) brass tube



Vogue UK Ltd. reserve the right to alter specifications without prior notice.  
ALL MEASUREMENTS ARE NOMINAL DIMENSIONS ONLY, AND ARE NOT BINDING.



SCALE 1:10



**VOGUE UK**  
TOWEL WARMERS & RADIATORS

Strawberry Lane, Willenhall  
West Midlands WV13 3RS  
Tel: 01902 387000 Fax: 01902 387001  
e-mail: sales@vogueuk.co.uk www.vogueuk.co.uk