

# Ballerina LG021F 1275x675

Height: 1275

Width: 675

Depth: 125

Weight HO: 14.5 kg

EO: 24.5 kg

Tube  $\phi$ : 31.8

Pipe Centres: 600

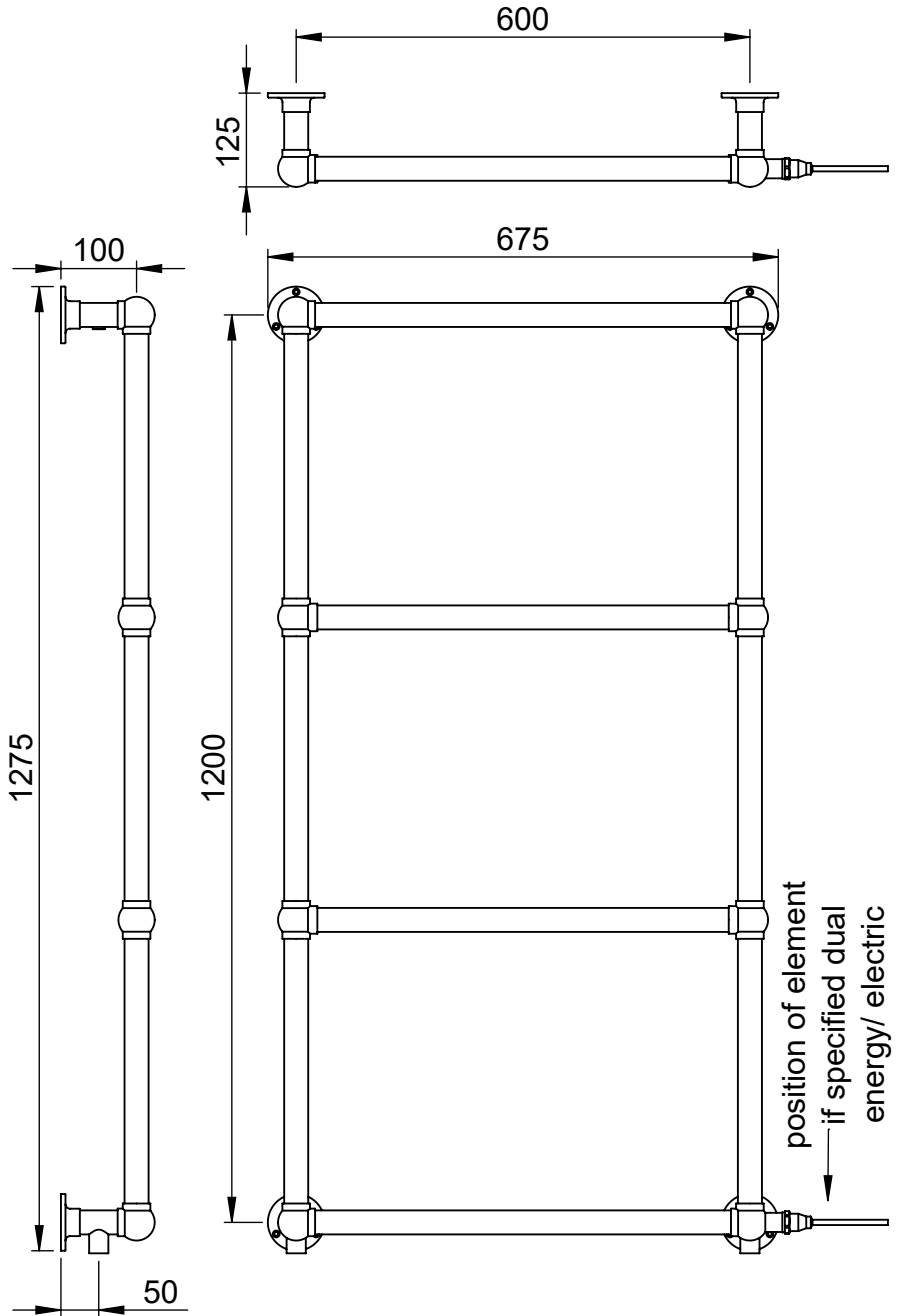
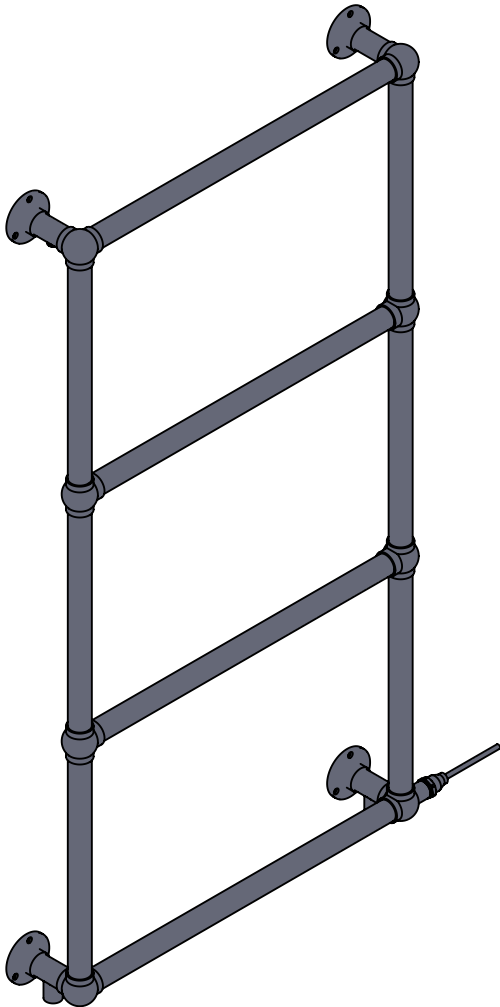
Elec. element if specified: 150

Output @ 50°C  $\Delta$  T Watts: 266

BTUs: 908

All dimensions in millimetres

Manufactured from ISO/CEN CuZn36As (BS CZ126) brass tube



Vogue UK Ltd. reserve the right to alter specifications without prior notice.  
ALL MEASUREMENTS ARE NOMINAL DIMENSIONS ONLY, AND ARE NOT BINDING.



SCALE 1:10



**VOGUE UK**

TOWEL WARMERS & RADIATORS

Strawberry Lane, Willenhall  
West Midlands WV13 3RS

Tel: 01902 387000 Fax: 01902 387001

e-mail: sales@vogueuk.co.uk www.vogueuk.co.uk