

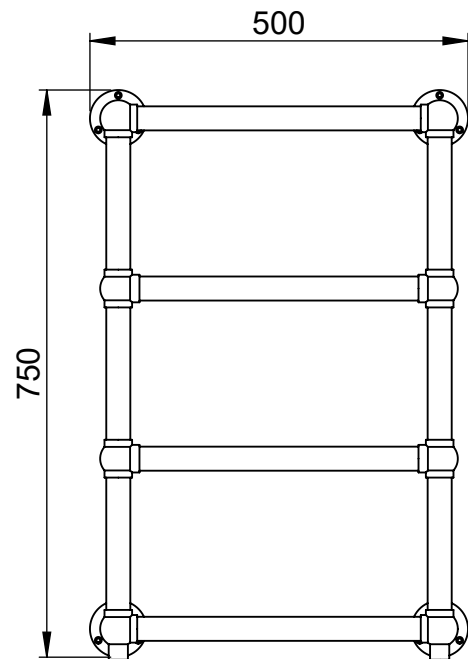
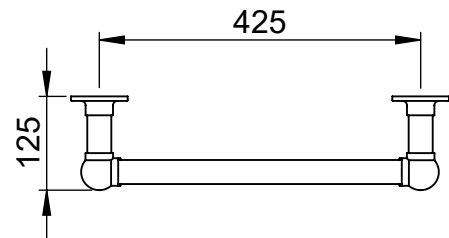
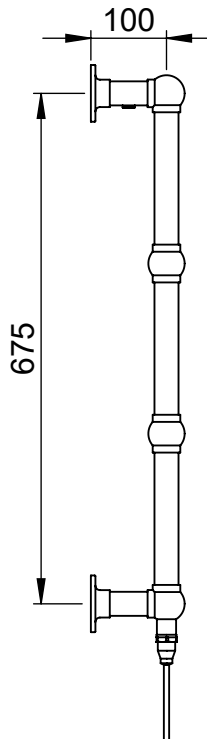
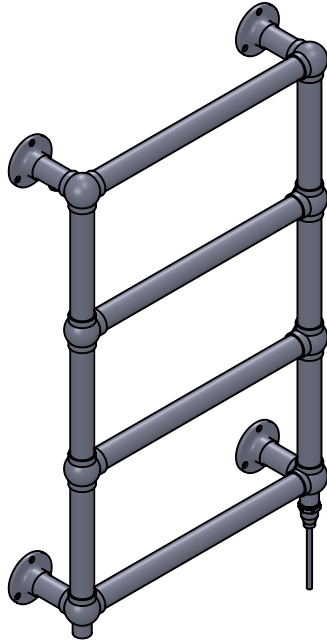
# Ballerina LG010A-BR 750x500

Height: 750  
Width: 500  
Depth: 125  
Weight HO: kg  
EO: kg

Tube  $\phi$  : 31.8  
Pipe Centres: 425  
Elec. element if specified: 100  
Output @ 50°C  $\Delta$  T Watts: 169  
BTUs: 577

All dimensions in millimetres

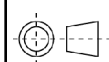
Manufactured from ISO/CEN CuZn36As (BS CZ126) brass tube



position of element  
if specified dual  
energy\*/ electric

\*Dual energy models require a conversion-tee, consult relevant drawing for details.

Vogue UK Ltd. reserve the right to alter specifications without prior notice.  
ALL MEASUREMENTS ARE NOMINAL DIMENSIONS ONLY, AND ARE NOT BINDING.



**SCALE 1:8**



**VOGUE UK**  
TOWEL WARMERS & RADIATORS

Strawberry Lane, Willenhall  
West Midlands WV13 3RS  
Tel: 01902 387000 Fax: 01902 387001  
e-mail:sales@vogueuk.co.uk www.vogueuk.co.uk