

# Vivid CN021 800x650

Height: 800

Width: 650

Depth: 93

Weight HO: 9.5 kg

EO: 12.5 kg

Tube  $\phi$ : 25.4 + 22

Pipe Centres: 600

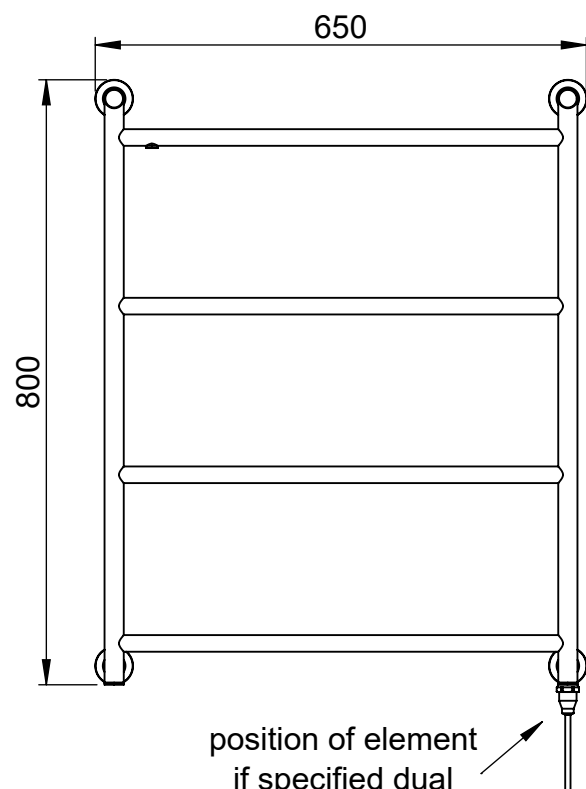
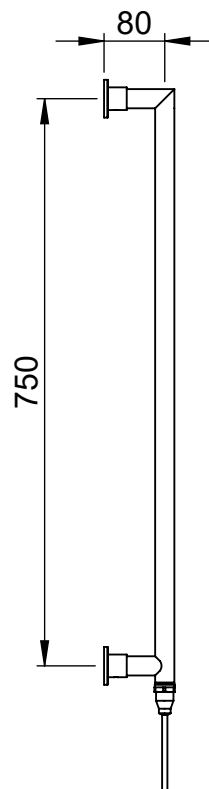
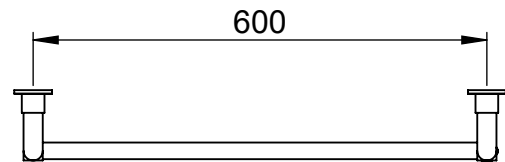
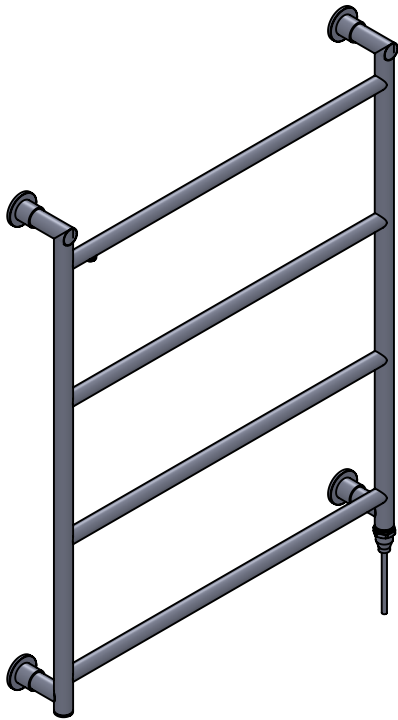
Elec. element if specified: 100

Output @ 50°C  $\Delta$  T Watts: 154

BTUs: 525

All dimensions in millimetres

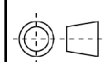
Manufactured from ISO/CEN CuZn36As (BS CZ126) Brass tube



position of element  
if specified dual  
energy\*/ electric

\*Dual energy models require a conversion-tee, consult relevant drawing for details.

Vogue UK Ltd. reserve the right to alter specifications without prior notice.  
ALL MEASUREMENTS ARE NOMINAL DIMENSIONS ONLY, AND ARE NOT BINDING.



SCALE 1:10



**VOGUE UK**  
TOWEL WARMERS & RADIATORS

Strawberry Lane, Willenhall  
West Midlands WV13 3RS  
Tel: 01902 387000 Fax: 01902 387001  
e-mail: sales@vogueuk.co.uk www.vogueuk.co.uk