

INSTRUCTIONS

ELECTRICALLY HEATED TOWEL WARMERS

Ethylene Glycol Electrically heated brass towel warmers, floor and wall mounted.
For use on 110 Volt AC 60Hz. 1PH electrical supply.

INSTALLATION INSTRUCTIONS

The Ethylene Glycol electrically heated brass towel warmers are substantially constructed and are designed for the use of drying towels and some items of clothing. Although they are not intended as room heaters they can contribute in small bathrooms or toilets with low heat losses.

IMPORTANT

All models, regardless of size, have similar surface temperatures, which is not detrimental to towels or similar fabrics.

DO NOT Apply more than two layers of towels per rail.

DO NOT Use the bottom rail, as this contains the heating element and therefore becomes hotter than the other rails.

WARNING This unit MUST NOT be installed in a shower or near a water spray.

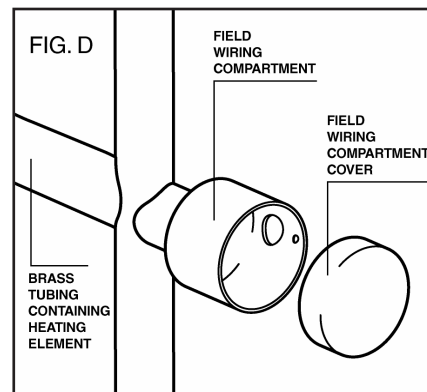
WARNING To avoid a possible fire hazard, the bottom horizontal tube of the brass towel warmer is the tube with the electrical field wiring box affixed to it, and under no circumstances must this be positioned in any other position (Fig D).

All electrical connections must be carried out by a licensed electrician in accordance with LOCAL ELECTRICAL CODES OR NATIONAL CODES.

Having carefully unpacked the brass towel warmer, check that it is the model, type and colour ordered. Examine it carefully to ensure that no damage has been sustained in transportation. Check that all the components required for its installation are included.

Offer the brass towel warmer to the wall/floor and mark the positions of the mounting holes on the wall/floor, in readiness for drilling.

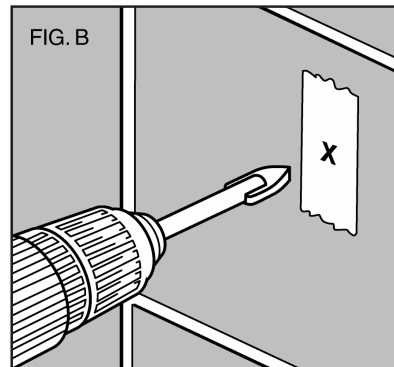
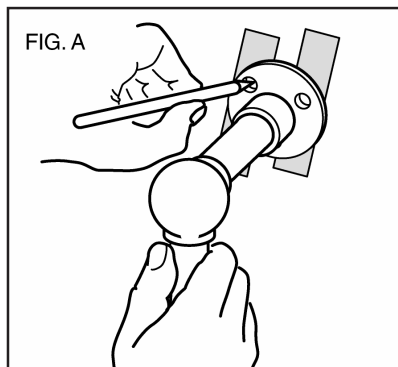
Drill the holes, using a 6mm masonry drill for brick/block work walls and solid floors, and insert the wall plugs.



MOUNTING INSTRUCTIONS

MOUNTING A TOWEL WARMER ONTO A CERAMIC TILED WALL/FLOOR

Where a brass towel warmer is to be mounted onto a ceramic tiled wall/floor we advise procedure as follows:-

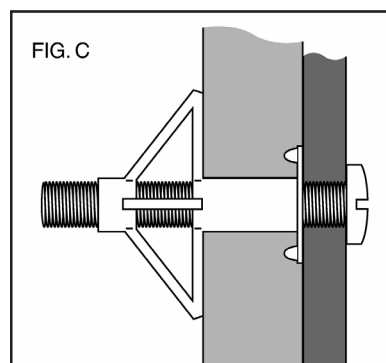


Apply masking tape to the tiles in the area you wish to mark the holes and mark the hole positions through onto the tape (Fig A). Leave tape on tiles to guide drill and using a 6mm masonry drill, drill holes (Fig B) to a depth of ½” before inserting wall plugs.

CAVITY WALLS (STUD/PANELS WALLS) AND DRY WALLS

When fixing to cavity walls use the correct wall plugs and screws designed for this purpose.

When fixing to dry walls it is important that you use Wall Anchors - Approximately 2” in length (Fig C).



HINTS & ADVICE

We strongly recommend the brass towel warmer is either used/controlled with a timer to save energy. Ensure that all electrical connections are made in accordance with National Electric/Local Codes, using at least 14 ATI's copper wire protected by a dedicated 15 amp Ground Fault Circuit Interruptor (GFCI) /2.5 amp fuse. It is imperative that all the components used comply with National Electric/Local Codes.

Vogue brass towel warmers are designed for either:-

- Independently using the standard ON/OFF switch
- In conjunction with a time switch
- In conjunction with a separate room thermostat (Please consult your electrician)

Once all wall/floor mounting screws have been tightened, the unit is now ready to be energised. Turn on the electric supply at the main panel and activate the brass towel warmer.

AFTERCARE

From time to time it is advisable to wash your brass towel warmer to maintain its pristine finish. Please only use a cloth dampened in warm soapy water to do this.

NEVER USE ANY FORM OF ABRASIVE PAD OR CHEMICAL CLEANER WHICH COULD PERMANENTLY DAMAGE THE FINISH.

A warning label is attached to the product as a reminder. If cleaning is carried out by others (or by staff) please hang this label prominently on the product so that they are advised of its proper cleaning. Failure to observe these cleaning instructions can invalidate the product guarantee.

CONNECTION OF ELECTRICAL MODELS

Determine the position of the electrical connection box as this should align with the towel warmers integral brass cover.

IMPORTANT

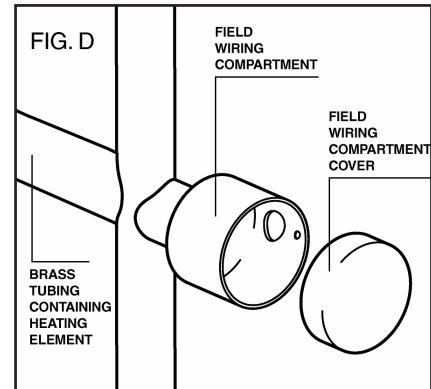
TURN OFF THE ELECTRICITY SUPPLY AT THE MAINS PANEL BEFORE PROCEEDING FURTHER

A Field Wired standard electric box should then be installed in the position determined (Fig D).

A 110 Volt AC, GFCI protected supply circuit should be made to the box.

Affix your brass towel warmer loosely to the wall/floor using the no.8 x 1.3/4" woodscrews supplied in the installation pack, unless it is for dry walls please see (Fig C) as previously mentioned.

The towel warmers integral brass cover should align accurately with the electric box.



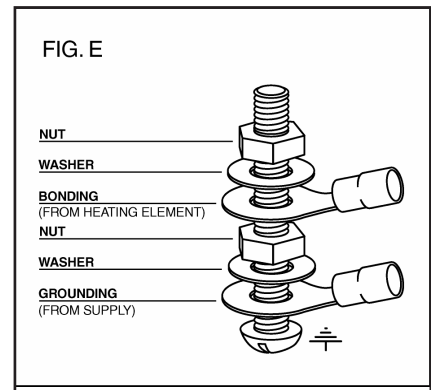
WIRE CONNECTION

Supply from brass towel warmer

- BLACK WIRE (HOT)
- WHITE WIRE (NEUTRAL)
- GREEN WIRE (BONDING GROUND)

Within the field wiring compartment there are two close loop terminals (Fig E). The Elements Green wire (Bond) needs to be connected as shown. The Heating Element Hot and Neutral leads should be connected to the corresponding supply leads via a suitably sized UL listed wire nut.

Grounding – The supply lead should be placed on the bottom of the terminal followed by a washer tightened by the following nut. Place heating element bonding lead (closed loop terminal) followed by a washer and nut; tighten.



HYDRONIC FITTING INSTRUCTIONS

1. Please follow instructions carefully to ensure that the towel warmer is properly attached to the wall or floor. FAILURE TO FOLLOW THESE STEPS COULD RESULT IN PROBLEMS.

2. Do not use an abrasive or chlorine-based cleaner on the towel warmer. A mild detergent, used with a soft, damp cloth, will restore most units to their original luster. A soft, dry cloth may be used to polish. Always make certain the unit is cold when cleaning.

3. The inlet water temperature should be no less than 120°F to effectively warm your towels and no more than 150°F. DO NOT EXCEED THIS LIMIT, A BURN HAZARD MAY RESULT!

The VOGUE hydronic towel warmer is designed to provide year-round warmth for warming towels and articles of clothing, while providing additional heat to the room. Larger units may be sufficient to serve as the sole heat source for a small bathroom.

**TOWEL WARMERS ARE HEAVY!
WE RECOMMEND THAT TWO PEOPLE INSTALL THE TOWEL WARMER!**

STEP 1: PRE-INSTALLATION

Make certain there is ample clearance on both of the sides and the back of the towel warmer. Each unit is supplied with the correct hardware for installation. Be sure wall construction is appropriate for hanging.

Before beginning the installation of any Vogue hydronic towel warmer, please note the following:

1. Maximum operating temperature should be no higher than 150° F, (66°C). Any working temperature higher than 150°F could create a potential burn hazard.
2. Vogue hydronic towel warmers take approximately 20-30 minutes to heat towels properly. For this reason we DO NOT recommend piping towel warmers through shower valves.
3. Vogue hydronic towel warmers can be safely operated year-round without turning them off.
4. Vogue hydronic towel warmers may be controlled by a timer or a thermostat that controls the system pump.

STEP 2: INSPECT VOGUE TOWEL WARMER

Note: Should a part become damaged or lost during installation, replacement parts are available for purchase.

Unpack the Vogue towel warmer carefully to avoid any damage or loss of any part. When opening the box and unwrapping the towel warmer, be sure that the parts that come with the towel warmer, (i.e. brackets, flanges, air vent key and mounting screws) are not accidentally discarded.

It is your responsibility to immediately inspect the towel warmer for any damage. Shipping damage should be reported immediately to your place of purchase.

Check for enclosed valves (some models come complete with valves pre-packed. For other models valves are sold separately)

HYDRONIC FITTING INSTRUCTIONS

STEP 3: INSTALLATION

Carefully remove the protective wrapping and move the towel warmer into position.

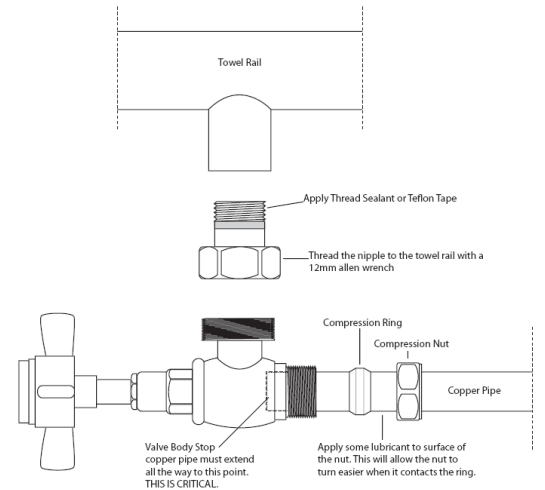
Mounting

Some Vogue towel warmers have been designed with integral fixed flanges. These will facilitate a permanent and secure mounting of the towel warmer to the wall or floor using the screws provided. In addition, some models come with adjustable wall stays for extra security.

Valve Installation

It is very important that the copper piping seats all the way into the valve body. To accomplish this, first dry-fit the valves on the copper stubs. Measure the difference between the centerline of the valve spud and the tapping on the hydronic towel warmer. Cut this amount off the copper stub.

THIS IS CRITICAL! If the copper is too short, the fitting will not seal.



1. The valves are composed of a main body, a union connection and a copper compression ring and nut located at the bottom of the valve. (Have the Sleeve Kit ready at this time.)
2. The Sleeve Kit consists of a small cover plate and matching 4" piece of tubing used to cover the water pipe connections.
3. After having stubbed the copper tubing, place the sleeve and cover plate over the exposed copper tubing.
4. Fit the compression ring on a scrap piece of copper pipe. Turn the compression ring on the pipe to stretch it. This will allow the compression ring to easily slide onto the copper pipe stubbed in for the installation of your Vogue hydronic towel warmer.
5. Place compression nut and ring onto the copper tube.
6. Next, remove the valves from the towel warmer and check to be sure that the valves are completely OPEN.
7. Remove union and nipple from valve. Apply Teflon tape to the threads of the nipple. Hand tighten nipple to towel warmer. With an allen wrench inserted into the nipple, hand-tighten to secure appropriate fit.

DO NOT USE A PIPE WRENCH OR PLIERS!

DO NOT OVER TIGHTEN – OVER TIGHTENING WILL CAUSE THE UNIT TO LEAK!

Note: One to three threads may be visible when tightened.

8. Set valve into position and seat copper tubing into the base of the valve. Seat the union nipple into the valve and loosely tighten the union nut.

CAUTION: Do not turn the **VALVE BODY**, turn the **NUT** only! Turning the **VALVE BODY** will split the compression ring, making it impossible to get a good seal. **DO NOT OVER TIGHTEN!**

HYDRONIC FITTING INSTRUCTIONS

9. Turn the compression nut $\frac{1}{4}$ turn more to securely seal. Tighten union connection to valve. Repeat for second valve. Water is ready to be circulated through your Vogue towel warmer at this time.

10. Connect the towel warmer to your heating system.

Brass constructed Hydronic Towel Warmers may be used in an OPEN SYSTEM!
Steel constructed Hydronic Towel Warmers must be used in a CLOSED SYSTEM!

CAUTION: Installation of a steel-bodied towel warmer on any open system will void the Warranty, create a health hazard and cause premature failure of the unit!

11. When all connections are complete and the hydronic towel warmer is installed properly, add water and vent the unit using the bleed valve located on the top rail, (will vary depending upon model) of the hydronic towel warmer.

STEP 4: OPERATION & MAINTENANCE

Your Vogue hydronic towel warmer can be left on continuously without detrimental effect either to the towel warmer or the articles on it.

IMPORTANT: This appliance is intended for towels and similar fabrics that are washed in water. Fabrics that contain soap, laundry detergents, liquid fabric softeners or after bath oils residue may show what appear to be scorch marks. **THIS IS SIMPLY THE DISCOLORATION OF THE RESIDUE.** As stated, the towel warmer does not reach sufficient temperature to scorch fabrics.

Vogue (UK) is not responsible for fabric discoloration due to laundry detergents, liquid fabric softeners, soap, or after bath oils.

REMINDER ON CLEANING YOUR VOGUE TOWEL WARMER

Do not use an abrasive or chlorine-based cleaner on the towel warmer.

A mild detergent, used with a soft, damp cloth, will restore most units to their original luster.

A soft, dry cloth may be used to polish the towel warmer.

Please make certain the unit is cold when it is cleaned.