

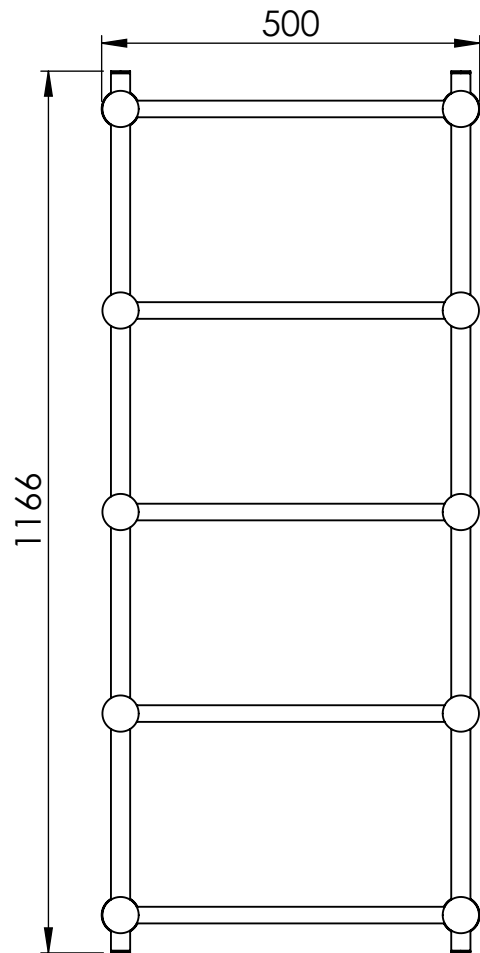
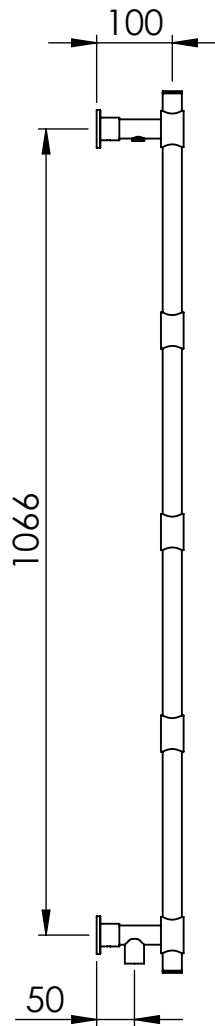
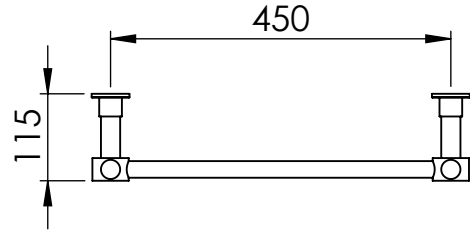
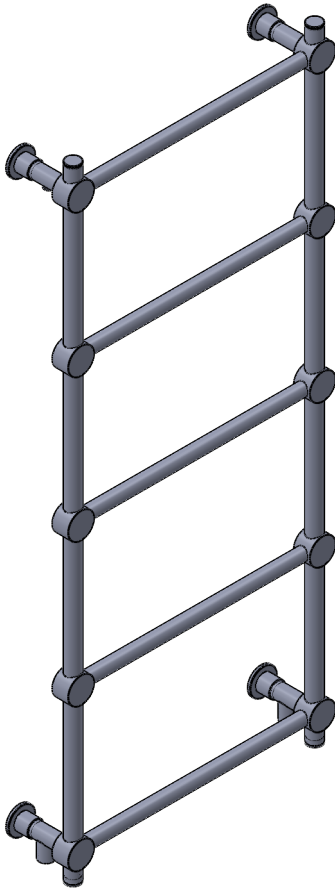
# Romolo RM4.2 1166x500

Height: 1166  
Width: 500  
Depth: 115  
Weight HO: kg  
EO: kg

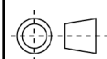
Tube  $\phi$ : 25.4 + 22  
Pipe Centres / Face-Face Cons: 450  
Elec. element if specified: n/a  
Output @ 50° C  $\Delta$  T Watts: 211 W  
BTUs: W

All dimensions in millimetres

Manufactured from ISO/CEN CuZn30As (BS CZ126) brass tube



Vogue UK Ltd. reserve the right to alter specifications without prior notice.  
ALL MEASUREMENTS ARE NOMINAL DIMENSIONS ONLY, AND ARE NOT BINDING.



SCALE 1:10

**VOGUE**  
TOWEL WARMERS & RADIATORS

Strawberry Lane, Willenhall  
West Midlands WV13 3RS  
Tel: 01902 387000 Fax: 01902 387001  
e-mail:sales@vogueuk.co.uk www.vogueuk.co.uk