

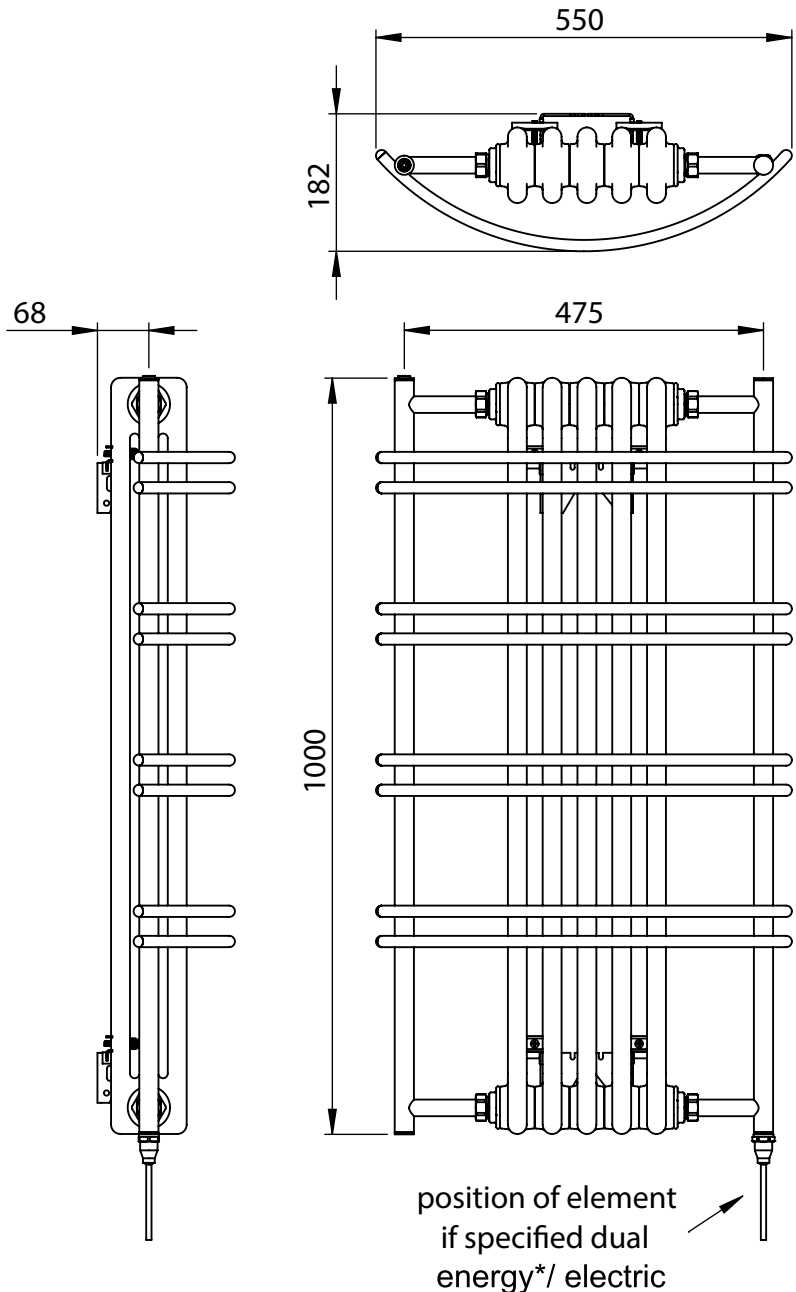
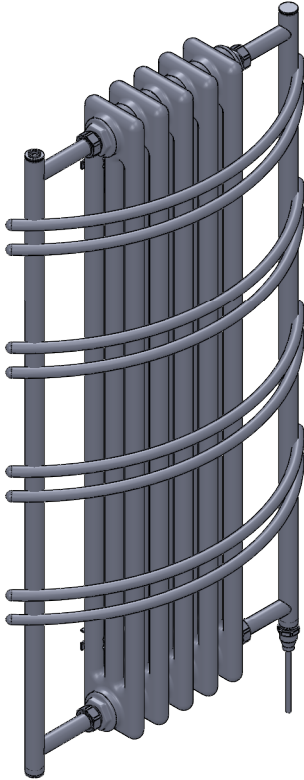
# Sequel III TM005 1000x550

Height: 1000  
Width: 550  
Depth: 182-200  
Weight HO: 19.5 kg  
EO: 34.5 kg

Tube  $\phi$ : 25.4 + 15  
Pipe Centres: 475  
Elec. element if specified: 400  
Output @ 50 °C  $\Delta$  T Watts: 741  
BTUs: 2528

All dimensions in millimetres

Manufactured from ISO/CEN CuZn36As (BS CZ126) brass tube



\*Dual energy models require a conversion-tee, consult relevant drawing for details.

Vogue UK Ltd. reserve the right to alter specifications without prior notice.  
ALL MEASUREMENTS ARE NOMINAL DIMENSIONS ONLY, AND ARE NOT BINDING



SCALE 1:10

**VOGUE**  
TOWEL WARMERS & RADIATORS

Strawberry Lane, Willenhall  
West Midlands WV13 3RS  
Tel: 01902 387000 Fax: 01902 387001  
e-mail:sales@vogueuk.co.uk www.vogueuk.co.uk