

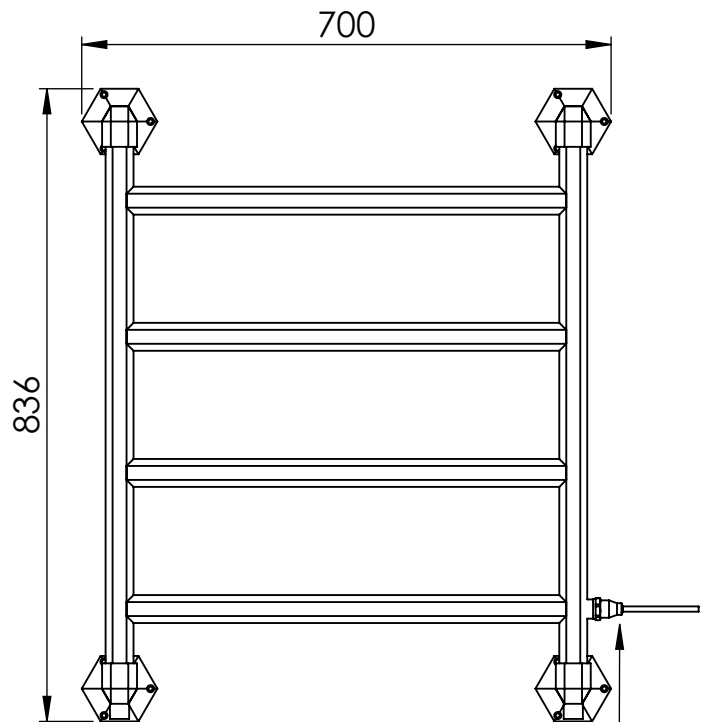
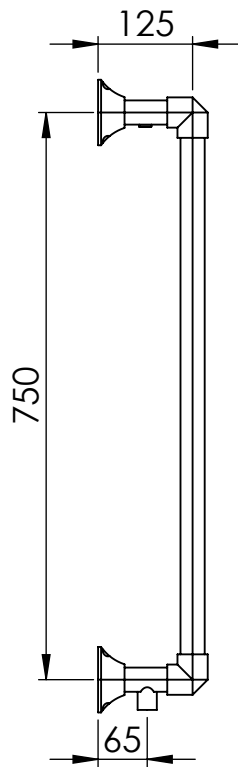
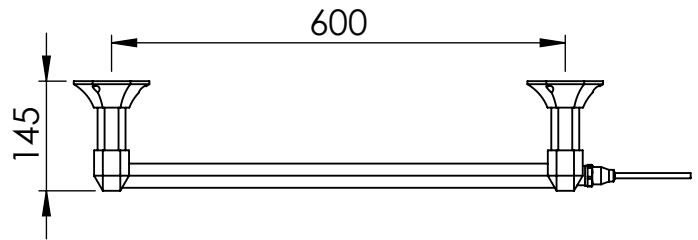
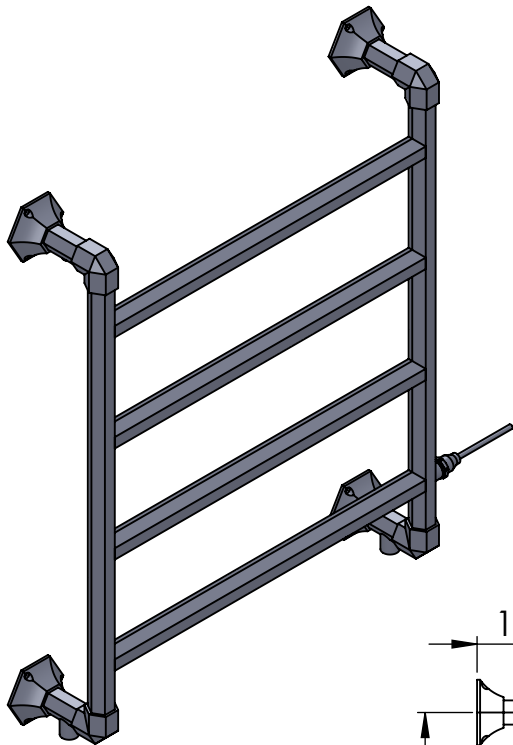
# Art Moderne OG010B 836x700

Height: 836  
Width: 700  
Depth: 145  
Weight HO: kg  
EO: kg

Tube  $\phi$  : 32 Hex  
Pipe Centres / Face-Face Cons: 600  
Elec. element if specified: 125 W  
Output @ 50° C  $\Delta$  T Watts: 247 W  
BTUs: 843 W

All dimensions in millimetres

Manufactured from ISO/CEN CuZn36As (BS CZ126) brass tube



position of element  
if specified dual  
energy\*/ electric

\*Dual energy models require a conversion-tee, consult relevant drawing for details.

Vogue UK Ltd. reserve the right to alter specifications without prior notice.  
ALL MEASUREMENTS ARE NOMINAL DIMENSIONS ONLY, AND ARE NOT BINDING.

SCALE 1:10



**VOGUE UK**  
TOWEL WARMERS & RADIATORS

Strawberry Lane, Willenhall  
West Midlands WV13 3RS  
Tel: 01902 387000 Fax: 01902 387001  
e-mail:sales@vogueuk.co.uk www.vogueuk.co.uk