

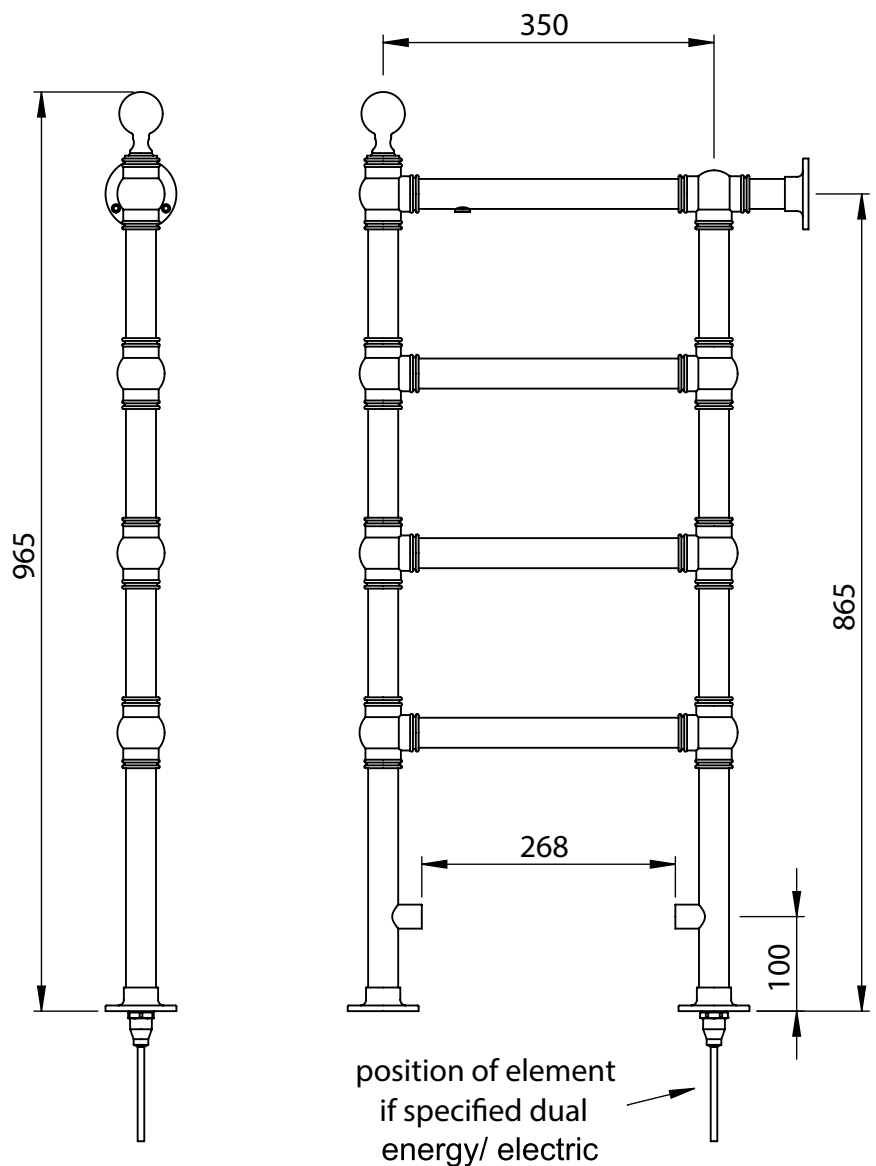
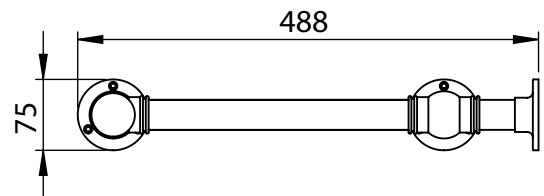
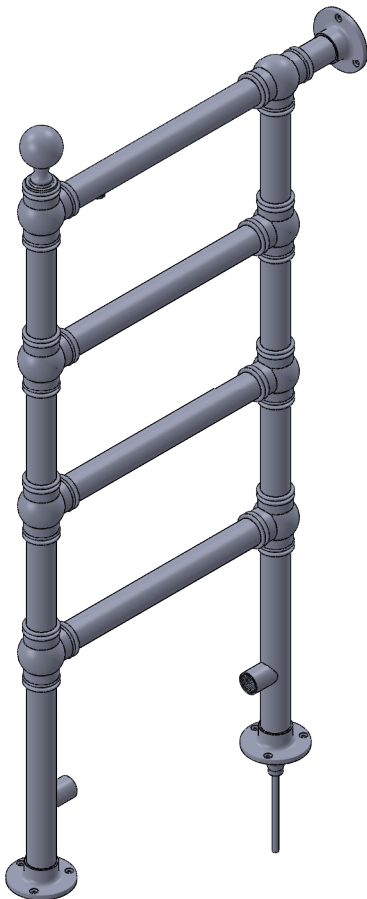
Butler OG004 965x75

Height: 965
Width: 75
Depth: 488
Weight HO: kg
EO: kg

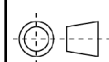
Tube ϕ : 31.8
Face-Face Connections: 268
Elec. element if specified: 100
Output @ 50 °C Δ T Watts: 156
BTUs: 532

All dimensions in millimetres

Manufactured from ISO 7 CEN CuZn36As (BS CZ126) brass tube



Vogue UK Ltd. reserve the right to alter specifications without prior notice.
ALL MEASUREMENTS ARE NOMINAL DIMENSIONS ONLY, AND ARE NOT BINDING



SCALE 1:8

VOGUE
TOWEL WARMERS & RADIATORS

Strawberry Lane, Willenhall
West Midlands WV13 3RS
Tel: 01902 387000 Fax: 01902 387001
e-mail:sales@vogueuk.co.uk www.vogueuk.co.uk